



**▲WARNING** SERVICE TECHNICIAN ONLY — read and follow completely.

# Parts list

**Table 7** Series 3 section and flue collector parts

Item	Description	Part No.
A	Wide front section (7011)	316-700-245
B	Regular intermediate section (7015)	316-700-065
C	Intermediate section w/draw rod lugs (7016)	316-700-070
D	Back section w/7" flue, supply & 2" return (7027)	316-700-227
E	Section replacement kit (for 1 joint, includes seals, rope, adhesive and collector hood hardware) front or back section	386-700-852
	Section replacement kit (for 2 joints, includes seals, rope and adhesive) intermediate section	386-700-851
	Section assembly complete, for SGO-3 with jacket	386-700-665
	Section assembly complete, for SGO-4 with jacket	386-700-666
	Section assembly complete, for SGO-5 with jacket	386-700-667
	Section assembly complete, for SGO-6 with jacket	386-700-668
	Section assembly complete, for SGO-7 less jacket	386-700-669
	Section assembly complete, for SGO-8 less jacket	386-700-670
	Section assembly complete, for SGO-9 less jacket	386-700-671
	F	Collector hood kit for SGO-3*
F	Collector hood kit for SGO-4*	386-700-341
F	Collector hood kit for SGO-5*	386-700-342
F	Collector hood kit for SGO-6*	386-700-343
F	Collector hood kit for SGO-7*	450-020-191
F	Collector hood kit for SGO-8*	450-020-192
F	Collector hood kit for SGO-9*	450-020-193
G	Tie rod ½ x 5½ (SGO-7, 8, 9)	560-234-464
G	Tie rod ½ x 10¾ (SGO-7)	560-234-491

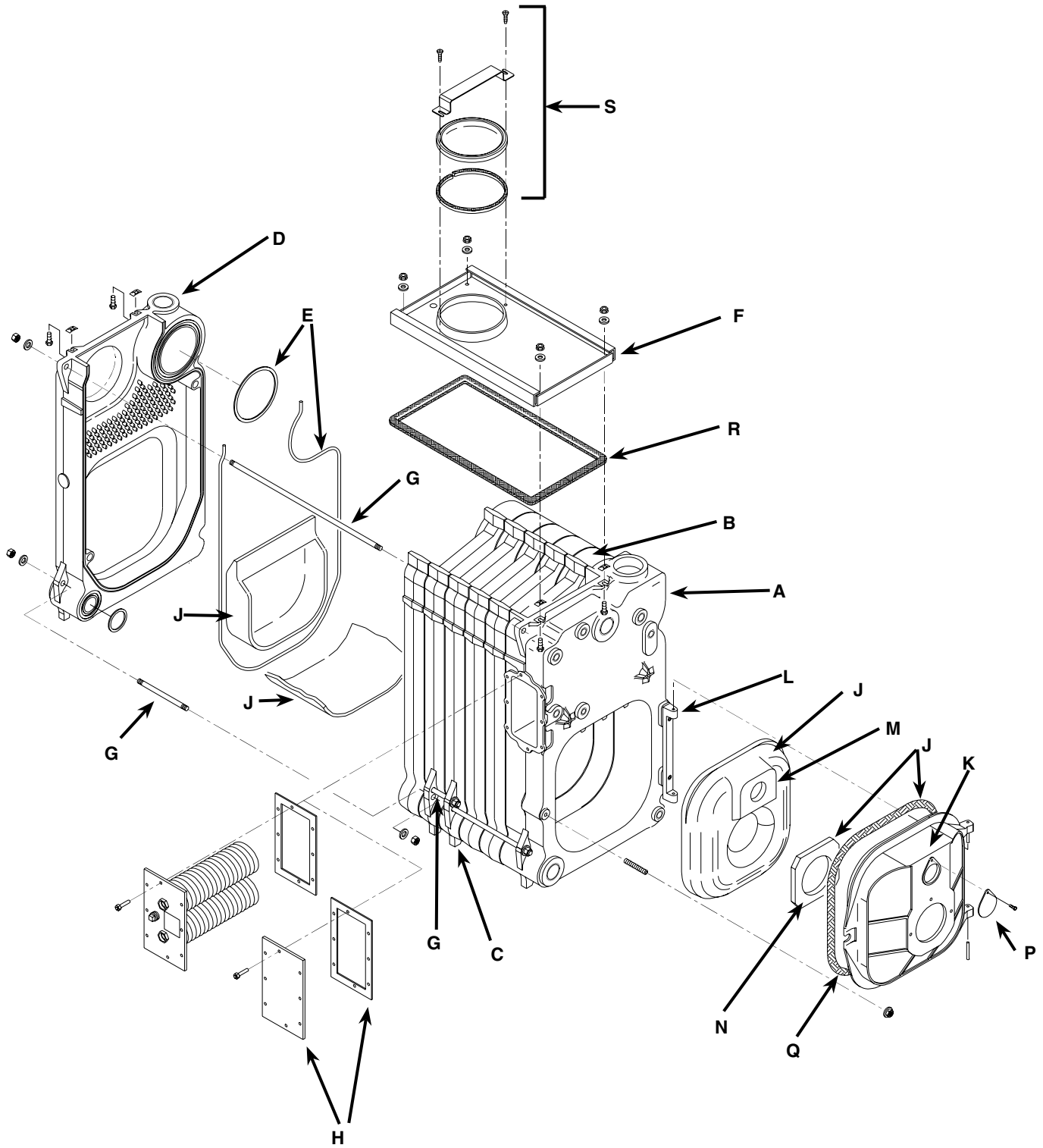
Item	Description	Part No.
G	Tie rod ½ x 12¼ (SGO-3)	560-234-493
G	Tie rod ½ x 13¾ (SGO-7 & 8)	560-234-494
G	Tie rod ½ x 14 (SGO-8, 9)	560-234-470
G	Tie rod ½ x 15 (SGO-9)	560-234-495
G	Tie rod ½ x 15¾ (SGO-4)	560-234-532
G	Tie rod ½ x 16½ (SGO-9)	560-234-496
G	Tie rod ½ x 18½ (SGO-5)	560-234-475
G	Tie rod ½ x 21½ (SGO-6)	560-234-536
G	Tie rod ½ x 24¾ (SGO-7)	560-234-540
G	Tie rod ½ x 28 (SGO-8)	560-234-544
G	Tie rod ½ x 31 (SGO-9)	560-234-546
H	Heater cover plate carton (cover plate, gasket, studs & nuts)	389-900-103
J	Combustion chamber kit (rear & firt ref., Door refractory blanket, rope, blanket & water glass)	385-700-355
K	Burner mounting door assembly (door, obs. Port, rope, ins. And pins)	386-700-358
L	Door hinge (7054)	330-054-300
M	Door refractory	386-700-359
N	Door refractory blanket	591-222-115
P	Observation port shutter	460-039-867
Q	Door seal rope 5'	590-735-104
R	¾" Glass rope for collector hood (7' for largest size hood)	590-739-109
S	Flue cap assembly (cap, strap, rope and screws)	386-700-344
	Flue brush (123D)	591-706-214
	Blocked vent shutoff switch (Canada only)	511-624-650
* Includes flue cap assembly, rope and hardware for installation.		



**WARNING** SERVICE TECHNICIAN ONLY — read and follow completely.

# Parts drawing

**Table 8** Series 3 section and flue collector parts



**NOTICE**

Repair parts must be purchased through Weil-McLain for the specific boiler as indicated in the list below. Results from using modified or other manufactured parts will not be covered by warranty and may damage boiler or impair operation.



**▲WARNING** SERVICE TECHNICIAN ONLY — read and follow completely.

# Replacement parts

**Table 9** Series 3 trim parts

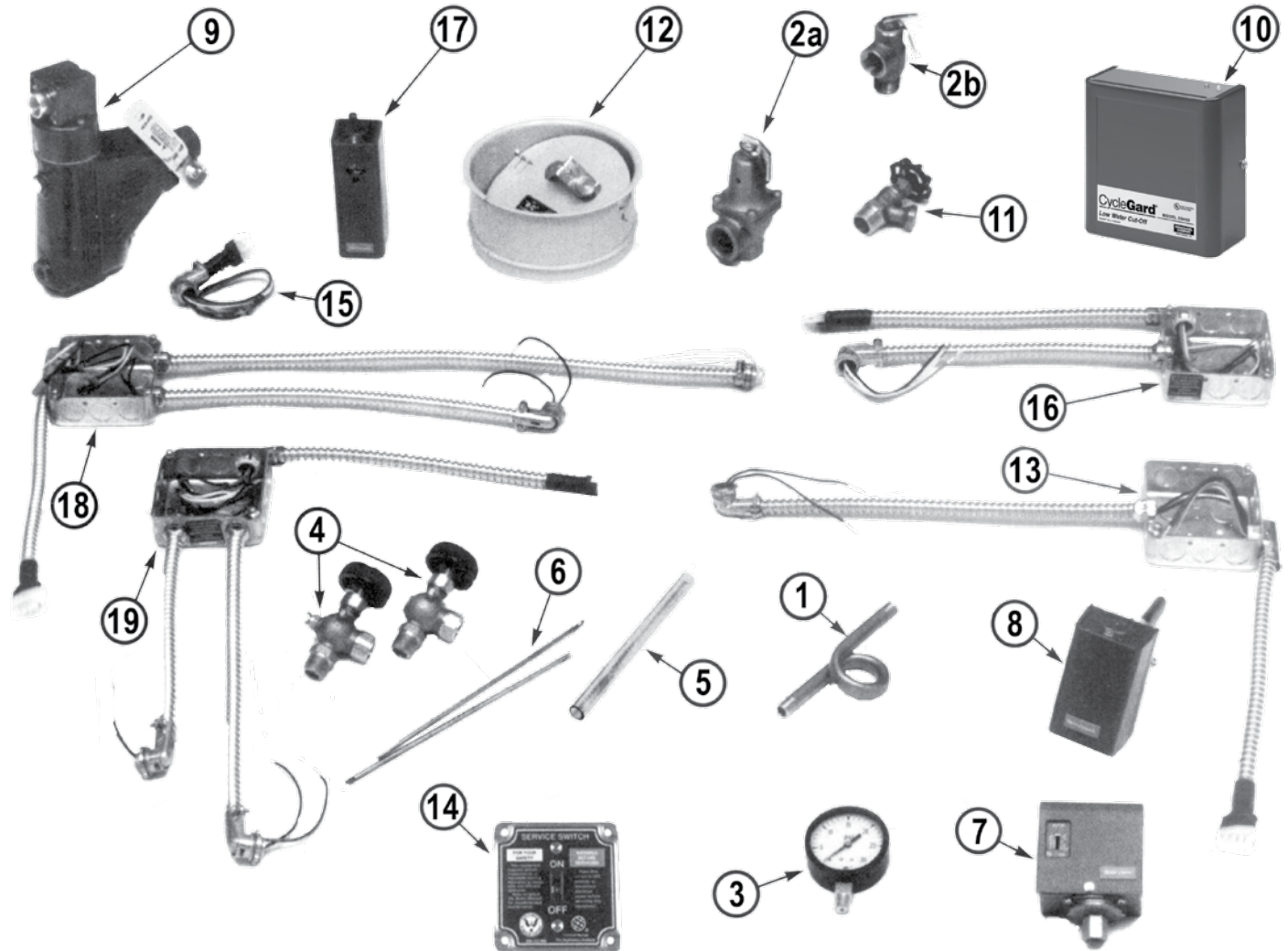
Fig. No.	Part no.	Description	Mfr.	Mfr. part no.
1	560-640-698	Syphon, 180° Bend, ¼" brass pipe		
2a	511-548-023	Steam relief valve, set to relieve at 15 P.S.I.G., ¾" N.P.T. inlet ¾" N.P.T. side outlet, 300 lbs./hr steam capacity	Watts	315
2b		Steam relief valve, set to relieve at 15 P.S.I.G., ¾" N.P.T. male inlet ¾" N.P.T. female side outlet, 407 lbs./hr steam capacity	Conbraco	13-511-08
3	510-218-045	Steam pressure gauge, 0-30 P.S.I.G.	Ametek	PSOSK
4	510-218-135	Gauge cock set, B15, standard stem	Conbraco	20-205-03B15
5	383-600-001	Gauge glass kit, includes glass, gaskets and brass washers	Weil-McLain	
6	563-334-597	Water gauge glass guard, 10⅝" long	Weil-McLain	
7	510-312-135	High pressure limit control, operating range 0.5-9 P.S.I., additive differential 1-5 P.S.I.	Honeywell	PA404A1009
		High pressure limit control, operating range 0-15 P.S.I., differential 2-8 P.S.I.	Johnson Controls	P-47AA-25D
8	510-312-209	High temperature limit control, spst, automatic recycle with ¾" well (used in tankless heater kit)	Honeywell	L4080B131
		High temperature limit control, spst, automatic recycle with ¾" well (used in tankless heater kit)	White-Rogers	11B83-16
9	511-114-495	Low water cutoff, float type	McDonnell-Miller	67W-2
10	511-100-007	Low water cutoff, probe type	Hydrolevel	45-469-1560
11	511-210-423	Drain cock, ¾", 1½" shank	Conbraco	31-606-01
	511-246-392	Drain cock, ¾"	Hammond	710
		Drain cock, ¾"	Watts	BD2C
		Drain cock, ¾"	Matco-Norca	
		Drain cock, ¾"	Nibco	#74
12	510-512-267	Balanced draft damper (barometric) 7"	Effikal	ESOC
13	591-391-848	Junction box wiring harness assembly (A & B only)	Weil-McLain	
14	591-391-854	Junction box cover assembly with service switch	Weil-McLain	
15	591-391-850	Burner harness assembly	Weil-McLain	
16	591-391-837	SGO water harness	Weil-McLain	
17	510-311-024	Limit control without well, spdt (for tankless heater)	Honeywell	L6006A1251
18	591-391-842	Junction box-wiring harness assembly (S-GO float low water cutoff only - packaged only)	Weil-McLain	
19	591-391-965	Junction box-wiring harness assembly (S-GO probe low water cutoff only - packaged only)	Weil-McLain	
20	426-700-268	(Not shown) Flue pipe brackets (requires 2 of this item)	Weil-McLain	
21	590-921-903	(Not shown) Tankless Heater - steam boiler, includes heater, gasket, nuts and studs. For SGO-3 thru 9	Heat Transfer Products	35-S-29



**WARNING** SERVICE TECHNICIAN ONLY — read and follow completely.

# Replacement parts (continued)

**Figure 24** Series 3 trim parts



**NOTICE**

Repair parts must be purchased through Weil-McLain for the specific boiler as indicated in the list below. Results from using modified or other manufactured parts will not be covered by warranty and may damage boiler or impair operation.



**▲WARNING** SERVICE TECHNICIAN ONLY — read and follow completely.

# Replacement parts (continued)

**Table 10** Boiler jacket

Model	1		2		3		
	Jacket panel with insulation — front		Left side and rear			Right side and rear	Top panel with cap
	UL	Non-UL	UL	Non-UL			
SGO-3	381-355-521	381-355-596	381-355-522	381-355-523	426-700-252	381-355-524	
SGO-4	381-355-521	381-355-596	381-355-525	381-355-526	426-700-254	381-355-527	
SGO-5	381-355-521	381-355-596	381-355-528	381-355-529	426-700-256	381-355-530	
SGO-6	381-355-521	381-355-596	381-355-531	381-355-532	426-700-258	381-355-533	

Complete Jacket cartons		
	UL	Non-UL
7 section	416-700-182	416-700-183
8 section	416-700-184	416-700-185
9 section	416-700-186	416-700-187

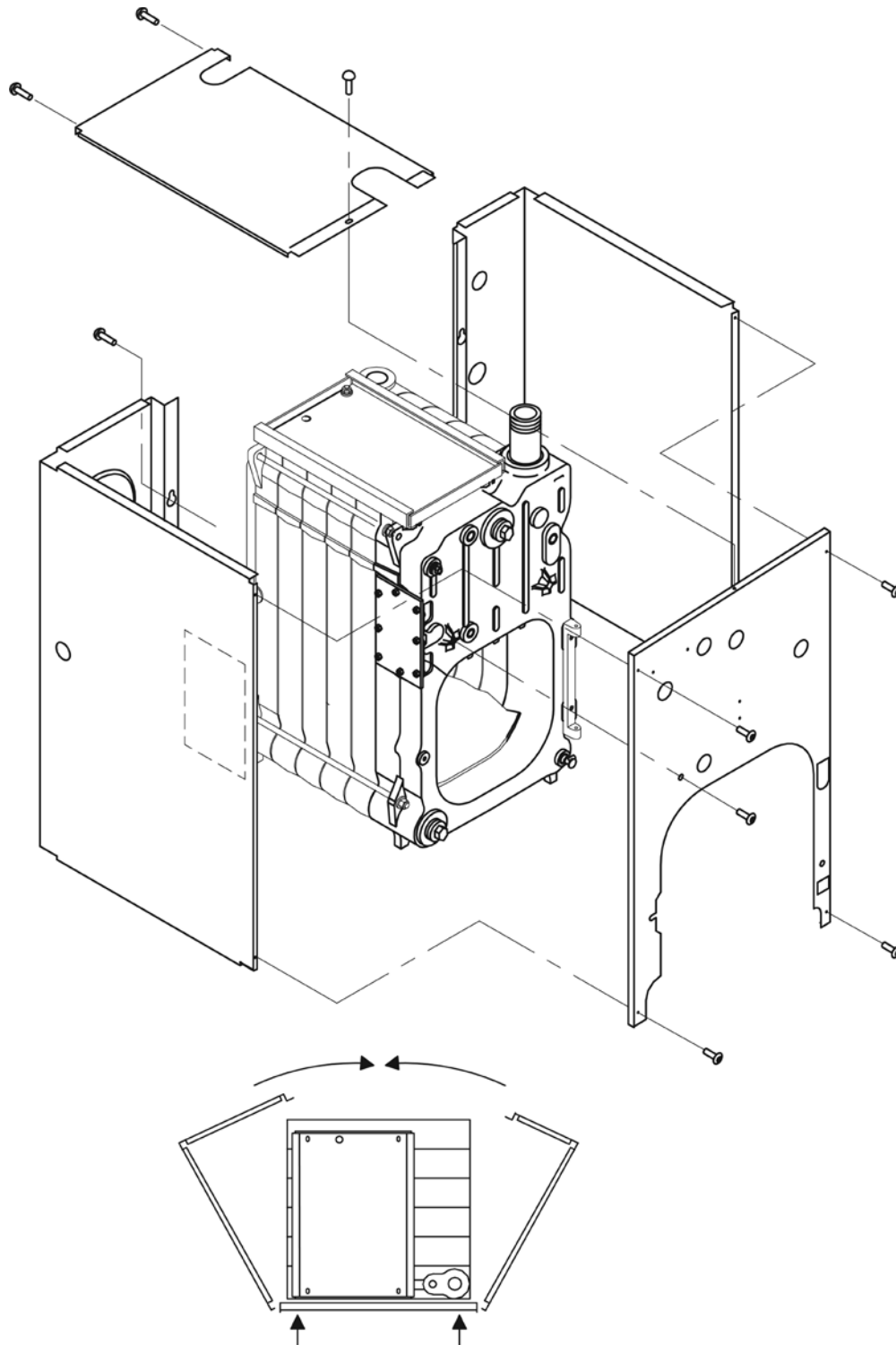
Common jacket parts for all boilers	
Plastic flue cap cover w/insulation	560-907-687
Jacket hardware kit	386-700-853
Touch up paint, gold spray can	592-000-000



**WARNING** SERVICE TECHNICIAN ONLY — read and follow completely.

# Replacement parts (continued)

**Figure 25** Boiler jacket



**NOTICE**

Repair parts must be purchased through Weil-McLain for the specific boiler as indicated in the list below. Results from using modified or other manufactured parts will not be covered by warranty and may damage boiler or impair operation.