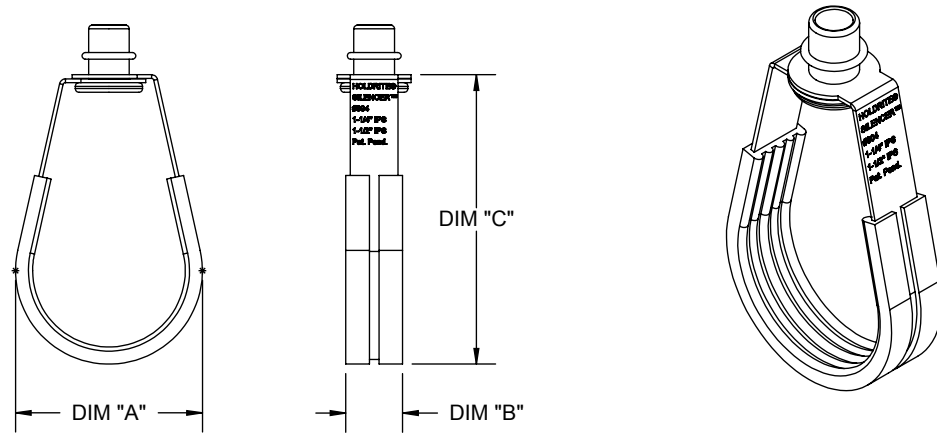


# PRODUCT SPECIFICATION DRAWING

## HOLDRITE® SILENCER™ Swivel Loop Hangers



Model #	Size		Swivel Nut Size	Max. Recom. Load (LBS.)	Dimension (inches)		
	IPS	CTS			"A"	"B"	"C"
#300	---	1/2"	3/8"	300	1.2	0.7	2.5
#301	1/2"	3/4"	3/8"	300	1.4	0.7	2.6
#302	3/4"	1"	3/8"	300	1.7	0.7	2.8
#303	1"	1-1/4"	3/8"	300	1.9	0.7	3.1
#304	1-1/4"-1-1/2"	1-1/2"	3/8"	300	2.4	0.7	3.8
#306	2"	2"	3/8"	525	2.9	0.7	4.3
#307	2-1/2"	2-1/2"	3/8"	525	3.5	1	4.8
#308	3"	3"	3/8"	525	4.5	1	6.4
#310	4"	4"	3/8"	650	5.6	1.4	8

**HOLDRITE® SILENCER™ Swivel Loop Hanger provide support for pipe and tubing from 1/2" - 4" size. These hangers also provide acoustic noise isolation and protection against dissimilar metal contact.**

### Product Information:

- Material:  
Frame: Carbon Steel  
Liner: TPE, natural (off-white), 45 shore A.
- Conforms with Federal Specification WW-H-171 (Type 10), Manufacturers Standardization Society (MSS) SP-58 and SP-69 (Type 10)
- Load rating: Complies with (MSS) SP-58
- Temperature range: -50°F to 225°F
- Patent Pending

Product Submittal	
Job Name:	
Date:	
Part Number:	Qty:
Architect / Owner:	
Contractor:	
Notes:	

.....HUBBARD ENTERPRISES.....  
**HOLDRITE®**  
 "Converting Makeshift Methods into Engineered Solutions"™