

29-1040 Angle Supply Valve • Spec Sheet

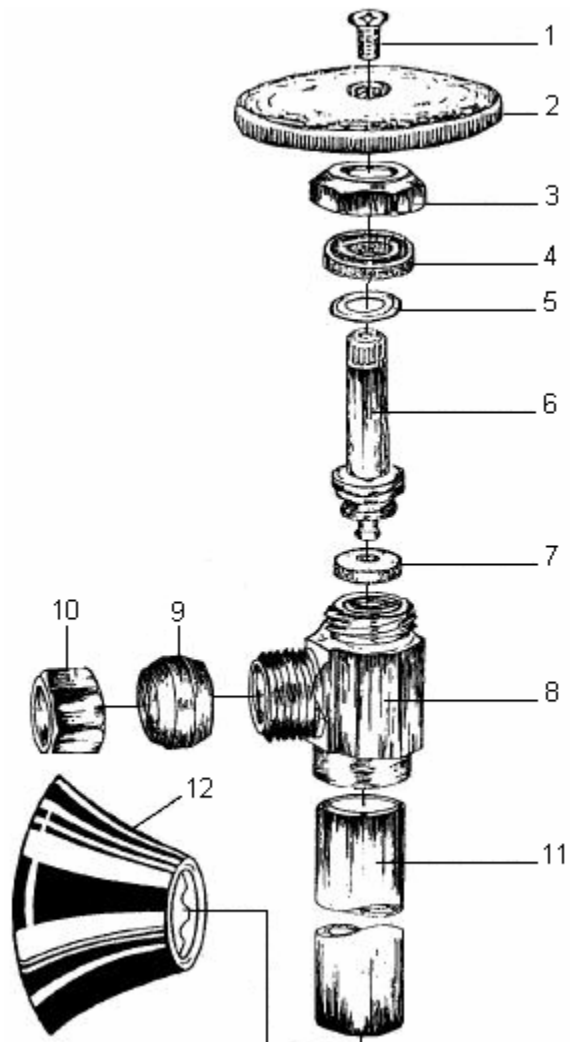


FEATURES & BENEFITS

- ISO- 9002
- 1/2" SWT X 3/8" OD
- Compression with 5" Extension & Bell Escutcheon
- Chrome Plated Brass

MATERIAL SPECIFICATIONS

No.	Part	Material
1	Bolt	Brass
2	Handle	Zinc/ PVC
3	Bonnet	Brass
4	Packing	Rubber
5	Washer	ST.Steel
6	Stem	Brass/ PVC
7	Seat Packing	Rubber
8	Body	Brass
9	Sleeve	Brass
10	Packing Nut	Brass
11	Drain Pipe	Brass
12	Flange	ST.Steel



MATCO-NORCA

Global sourcing. National compliance. Local service.

NEW YORK
TEXAS
CALIFORNIA

PO Box 27, Rt. 22, Brewster NY 10509 • Toll Free: 800-431-2082 • Fax: 845-278-9056
1150 Silber Rd., Houston TX 77055 • Toll Free: 800-935-5456 • Fax: 713-680-2999
5593 Fresca Dr., La Palma CA 90623 • Toll Free: 866-532-8306 • Fax: 866-532-8307

WEB: www.matco-norca.com

EMAIL: mail@matco-norca.com