

# MPO™

Defining the Best in Home Heating

 **Burnham®**  
Hydronics



■ High Efficiency - 87% AFUE  
Oil-fired, Hot Water Heating Comfort



■  
American made  
with your **family's**  
**comfort** in mind.



# Defining the Best in Home Heating

Burnham's MPO boiler means never having to question your family's comfort.

With an Annual Fuel Utilization Efficiency (AFUE) of 87%, the MPO is one of the most efficient and most reliable boilers in the industry. It was designed, not only to be the best boiler on the market, but also to be the best solution for your family's heating needs.

87% AFUE Efficient



As an ENERGY STAR® Partner, U.S. Boiler Company, Inc. has determined that some models meet the ENERGY STAR® guidelines for energy efficiency.



## Efficiency. Reliability. Quality.

- defining the MPO

The MPO is anything but ordinary. It offers the benefits of hot water heat and a unique 3-pass design with the advantages of cast iron construction for a lifetime of durability and trouble-free performance.

Its innovative 3-pass design will improve the way you heat your home with efficient fuel usage and in turn lower

heating costs. At the same time, the MPO still maintains the basic values of American craftsmanship and American ingenuity.

With an efficiency of 87% AFUE, ease of service, and unparalleled quality, this truly is the boiler that defines the best in home heating.

87% EFFICIENT

# EFFICIENCY

Having an efficient heating system — to address the issues of rising fuel prices and the need to be environmentally smart — is critical in today's world. With that in mind, Burnham designed the MPO boiler from the ground up — focusing on efficiency while at the same time making sure your family's level of comfort is not compromised.

## 87% Efficient, Valuable Savings

- **The 3-pass design** passes flue gases through the MPO heat exchanger and cast iron sections three times — saving energy and improving your payback.
- **A large geometric combustion chamber** without a target wall or blanket increases heat transfer and reduces costs on repair parts.
- **The 3" insulation** surrounds the boiler block reducing heat loss through the boiler's jacket.
- **Dependable cast iron** has the ability to absorb and transfer heat quickly. The MPO castings have even a higher efficiency due to our superior and effective 3-pass design.

### How to Determine Your Family's Annual Savings

$$\frac{\text{Your Current Boiler's Efficiency Rating}}{87\% \text{ (MPO Rating)}} \times \text{Your Current Annual Fuel Bill} = \text{Your Estimated New Fuel Bill}$$

Example: Your present boiler's efficiency is rated at 60% and your annual fuel bill is \$1,500

$$\frac{60\%}{87\% \text{ (MPO Rating)}} \times \$1,500 = \$1,034 \quad \text{Annual Savings of } \$466$$

#### If you current boiler is:

**65% efficient = about \$380 of savings**

**55% efficient = about \$550 savings**

**50% efficient = about \$800 of savings**

# RELIABILITY

The MPO boiler is built to last. That means you never need to worry about your family's comfort on a cold winter night. At Burnham, we don't accept "meets industry standards" as our goal for performance, efficiency and safety. We hold ourselves to a higher standard.

The Burnham standard includes making sure the MPO can be installed and serviced in minimal time – providing you valuable savings.

## Hassle Free Service & Installation, Peace of Mind

- A reversible full swing door allows a thorough and fast cleaning of all heating surfaces.
- The unique 3-pass configuration allows the entire block to be cleaned and vacuumed without removing the flue pipe.
- The standard Honeywell electronic aquastat, R7148, includes digital display and is EnvirCOM™ ready, providing diagnostic information at your contractor's fingertips.
- Wiring harnesses are concealed beneath the jacket for a clean appearance and plug-in connectors allow easy hook up of additional controls.
- Available control options, with plug & play technology, eliminate wiring guesswork and reduces additional materials costs and installation time.
- Removable internal flue baffles allow the MPO to be installed in a variety of chimney applications.

## Ease of Cleaning from Front to Back



Easy to Reach Controls

# QUALITY

Here at Burnham we are passionate about our products and want to insure your family with the security of the Burnham Hydronics name. When you select Burnham, you're buying more than just an appliance. Every product is crafted of the highest quality materials and components — by experts committed to delivering the absolute best.

## American Made, 100% Satisfaction

### American Made in Lancaster, Pennsylvania

Our dedicated and skilled employees unite modern technology with old-fashioned craftsmanship to create the best heating system in the industry.

### American Poured Castings in Zanesville, Ohio

The quality does not just start with assembly. We also control the quality of each cast iron section.

Burnham owns and operates a state-of-the-art foundry, in Zanesville, OH, USA where each casting is born.



### Real-life Testing

The MPO is tried and true — which means it has been tested in real world conditions and is proven to run efficiently in your home too.

# The Whole Package



## ■ Heating Your Water Efficiently

The MPO can easily be partnered with an Alliance™ indirect water heater and be your family's solution to hot water. A family of four can easily use over 100 gallons of water a day. Knowing that, it really makes sense to let your MPO boiler heat your water too.

The Alliance has the ability to use the energy of a boiler to make hot water at 2-3 times that of a conventional water heater and store it for many hours. The result is less fuel consumption and greater monthly energy savings. **The cost savings for your family can be up to 50% with the Alliance™ indirect water heater and MPO** — quickly paying for itself!

## ■ Protecting Your System with a Lifetime Limited Warranty

Our USA made cast iron heat exchanger on the MPO is covered by Burnham's lifetime True Blue Limited Warranty — one of the best in the industry. The additional purchase of Burnham's Winter Warmth Assurance plan extends the True Blue Warranty protection of the entire boiler to 5 or 10-year blanket coverage, including labor.

## ■ One Source for Total Comfort

Why settle for just the MPO high efficiency boiler and Alliance indirect water heater when you can have a complete Burnham Hydronics system? The complete line of system components include: low profile base-board, modern radiators, electronic controls, and radiant heat pipe and accessories.

You now know why the

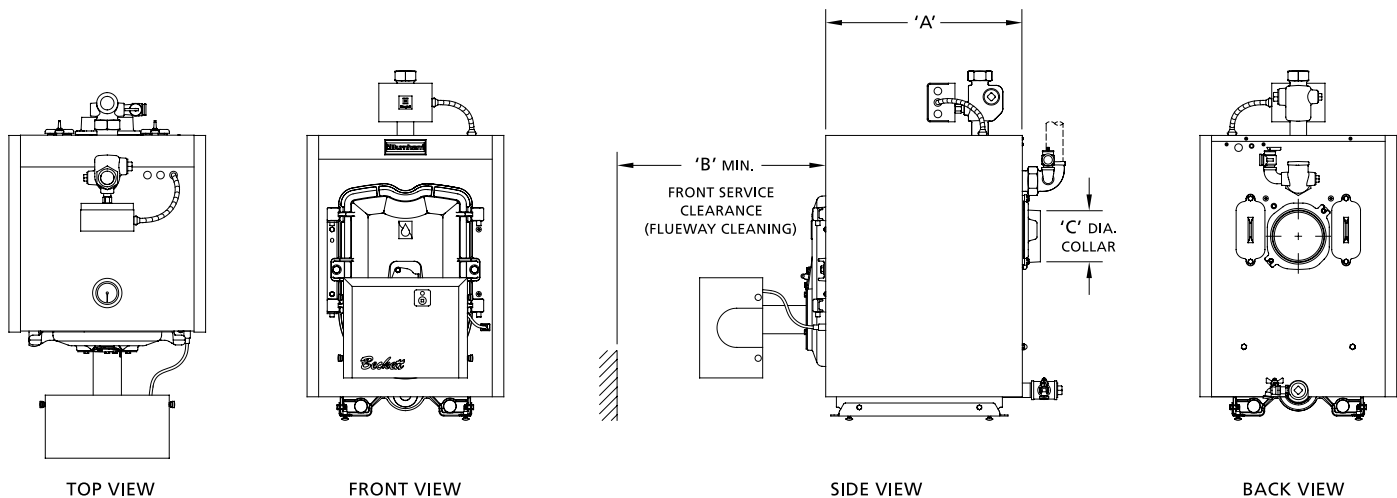
**MPO** truly is an investment in  
your **family's** future.

87% EFFICIENT

Your search for  
the most efficient  
oil boiler is over

## MPO Dimensions

Model	Dimensions (inches)			Water Content (gallons)	Heat Transfer Surface Area (Sq. Ft.)	Approx. Shipping Weight (lbs.)
	'A'	'B'	'C'			
MPO84	16-5/8	24	5	7.70	13.29	475
MPO147	22-5/8	24	6	11.08	20.29	567
MPO189	28-5/8	30	6	14.46	27.29	659
MPO231	34-5/8	36	7	17.84	34.29	751



## MPO Ratings

Model	Burner Capacity (GPH)	DOE Heating Capacity (MBH)	I=B=R Water Ratings (MBH)	AFUE (%)
MPO84	.60	74	64	87
MPO147	1.05	129	112	87
MPO189	1.35	167	145	87
MPO231	1.65	203	177	87



©2005 U.S. Boiler Company, Inc. - Lancaster, PA  
Phone: 717-397-4701  
www.burnham.com