

Safe 'N' Sound APPLIANCES

www.safeandsoundappliances.com



Protect Your Home Protect Your Health

Safe 'N' Sound Appliances Flood Prevention Kits

The complete approach to minimize mold and water damage caused by washing machine and dishwasher leaks.

Which Would You Prefer?



an unprotected
installation

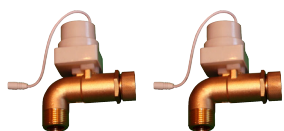
OR



a **Safe 'N' Sound**
installation

Washing Machine Flood Prevention Kit™

*other products detect floods, we help **PROTECT** against them*



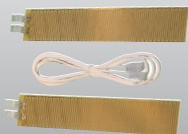
Motorized Ball Valves stop the flow of water if a leak is detected.
(Standard hose bib connection)



Ultra Tough Hoses come with a limited lifetime warranty & are corrosive resistant to common cleaning solutions such as bleach and ammonia.



Alarm Control Box features: Audible/Visual Alarm • Open/Close the water supply with the touch of a button • Connection to home alarm system • Built-in battery backup *(Batteries not included)*



Dual Water Sensors detect leaks at the most common points of failure.
1st Sensor - *Washing machine hose, shut-off valve & drainage line*
2nd Sensor - *Washing machine overflow & drum failure.*



Flood Smart Pan with water sensor captures water if the washing machine leaks and automatically shuts off the water supply protecting against major flood damage.

• **NO WATER MAIN SHUTDOWN REQUIRED** • **PLUMBER FRIENDLY** •

www.SafeandSoundAppliances.com

P.O. Box 949 • Westbury, NY 11590 • P: 1-866-926-9767 • F: 516-333-7867

SNS-PCS0310V1.6

Safe 'N' Sound APPLIANCES

www.safeandsoundappliances.com



Protect Your Home Protect Your Health

Safe 'N' Sound Appliances Flood Prevention Kits

The complete approach to minimize mold and water damage caused by washing machine and dishwasher leaks.

Washing Machine Flood Prevention Kit™

Protect your **HOME**, Protect your **HEALTH**
Minimize Mold & Leaks by Preventing Major Floods



The Safe 'N' Sound Washing Machine Flood Prevention Kit™ is the all encompassing point of use automatic water shut-off system designed to prevent floods, detect leaks and minimize mold. It is perfect for residential homes, condos and apartment dwellings. The kit utilizes a flood prevention pan to capture water and twin water sensors to detect leaks. When a leak is detected, the automatic motorized ball valves are activated to shut off the water supply. To protect against a burst hose, our product features ultra tough polymer braided washing machine connectors. They are guaranteed for the useful life of the original washing machine and are specially-engineered to resist corrosion caused by common cleaning chemicals (bleach, ammonia, etc.) which corrode stainless steel.

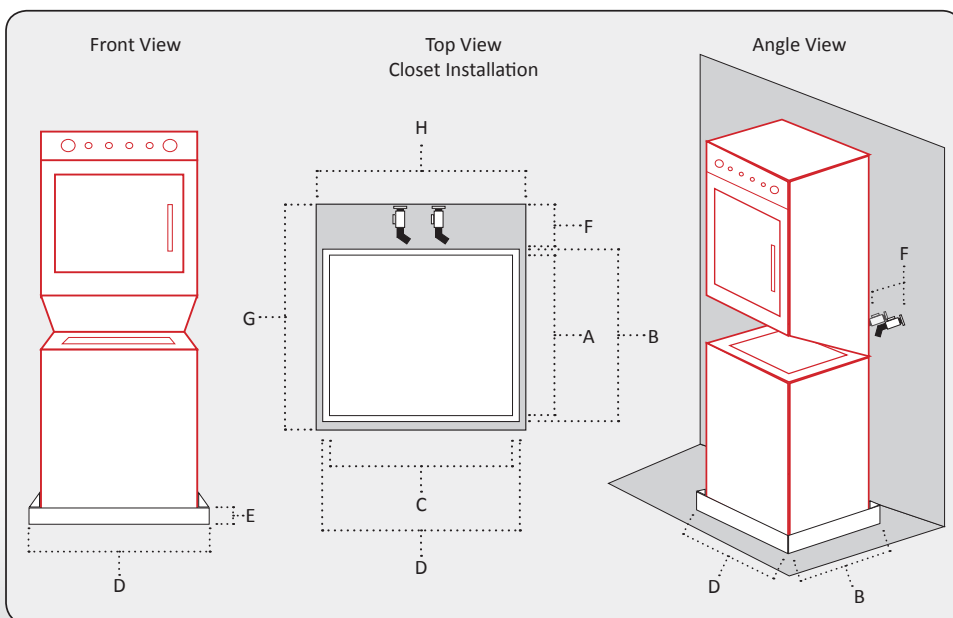
Models

WMK-2729 ideal for Stackable and Standard Washing Machines

WMK-2830 ideal for Oversized Washing Machines

Washing Machine Kit Features:

- Easy Installation
- Alarm /Valves /Sensors are Reusable
- Push button Open/Close/Mute
- Polymer Washing Machine Connectors are good for the useful life of the original washing machine
- Two sensors can detect a leak both on the floor of the flood prevention pan and on the wall under the shut-off valves
- Helps prevents structural damage from slow leaks
- Flood prevention pan provides security against leaks damaging subfloors
- Reduces risk of mold build up often associated with flood damage
- Loud audible alarm
- Central alarm connection built-in
- Battery backup built-in
(Batteries Not Included)



Model	Dimension	A	B	C	D	E	F	G	H
Description		Depth I.D. (maximum depth of washing machine)	Depth O.D.	Width I.D. (maximum width of washing machine)	Width O.D. (front exterior width)	Height of pan	Minimum clearance from rear wall to back of the washing machine	minimum depth of closet for new construction application.	minimum width of closet for new construction applications
WMK2729		27"	28 5/8"	29"	30 5/8"	2 1/2"	3 3/4"	30 3/4"	30 5/8"
WMK2830		28"	31"	30"	33"	2 1/2"	3 3/4"	31 3/4"	33"

Notes: Supplied flood prevention pan has small degree of flexibility. Under certain circumstances flood prevention pan can be flexed / squeezed into place.