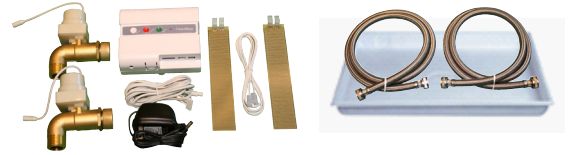


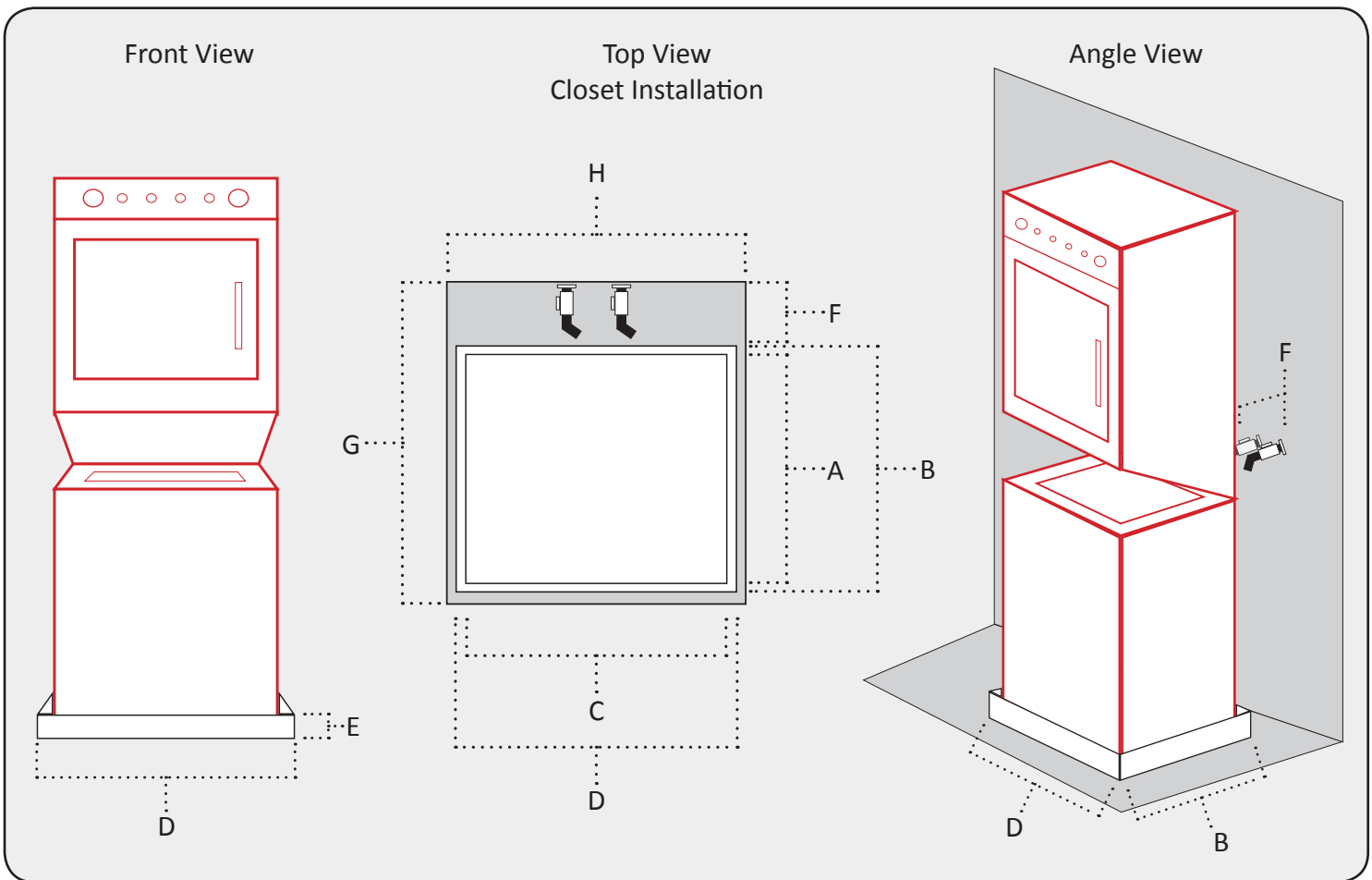
Safe 'N' Sound Washing Machine Kit™

Protect your **HOME**, Protect your **HEALTH**
 Minimize Mold & Leaks by Preventing Major Floods



Model	Dimension	A	B	C	D	E	F	G	H
Description		Depth I.D. (maximum depth of washing machine)	Depth O.D.	Width I.D. (maximum width of washing machine)	Width O.D. (front exterior width)	Height of pan	Minimum clearance from rear wall to back of the washing machine	minimum depth of closet for new construction application.	minimum width of closet for new construction applications
WMK2729		27"	28 5/8"	29"	30 5/8"	2 1/2"	3 3/4"	30 3/4"	30 5/8"
WNK2830		28"	31"	30"	33"	2 1/2"	3 3/4"	31 3/4"	33"

Notes: Supplied flood prevention pan has small degree of flexibility. Under certain circumstances flood prevention pan can be flexed / squeezed into place.



Engineering Specification: The Safe 'N' Sound Washing Machine Kit™ contains one control alarm featuring push button open and close options with battery backup, two electric automatic shutoff ball valves, two water sensors, two polymer-coated braided washing machine connectors, and a flood prevention pan suitable for most standard size washing machines, manufactured by Safe 'N' Sound Appliances Inc.,.