

BARVY Steam Radiator Angle Valve • Spec Sheet



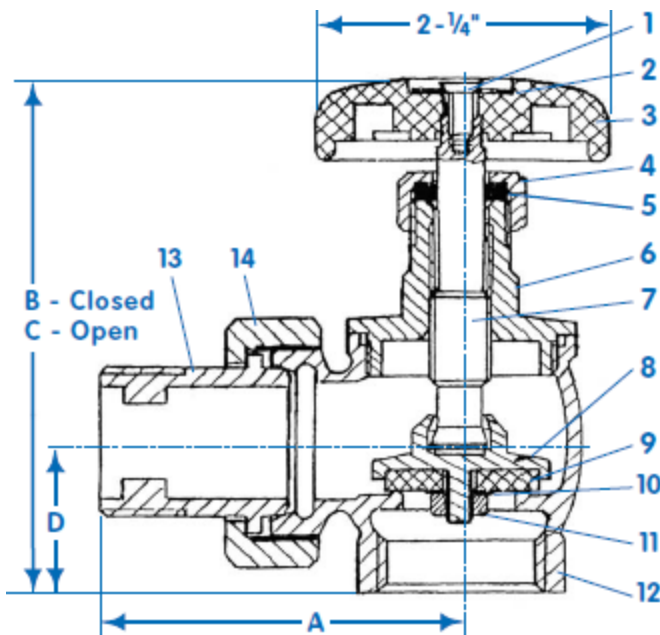
FEATURES & BENEFITS

- Brass-Heavy Pattern
- FIP x Male Union
- With Nut & Tailpiece
- 15 WSP - 60 WOG
- ISO 9002
- Size 1/2" - 1-1/2"

Also Available: BARV
Same Valve in Bronze

MATERIAL SPECIFICATIONS

No.	Part	No.	Part
1	Handle Screw	8	Disk
2	Disc	9	Flat Bibb Washer
3	Handle	10	Brass Washer
4	Packing Nut	11	Bibb Nut
5	Packing	12	Valve Body
6	Bonnet	13	Tailpiece
7	Stem	14	Nut



DIMENSIONS

Size	A	B	C	D
1/2"	2.17	3.66	4.02	0.95
3/4"	2.51	3.78	4.29	1.18
1"	2.84	4.33	4.80	1.26
1-1/4"	3.33	4.72	5.12	1.44
1-1/2"	3.50	5.12	5.87	1.65

 **MATCO-NORCA**
Global sourcing. National compliance. Local service.