

Wet-rotor, End Suction, Maintenance-Free Circulator Pumps

60 Hertz



JOB or CUSTOMER:	
ENGINEER:	
CONTRACTOR:	
SUBMITTED BY:	DATE:
APPROVED BY:	DATE:
ORDER NO:	DATE:
SPECIFICATION REF:	

QUANTITY	TAG NO.	MODEL NO.	GPM	FEET	VOLT	PHASE	COMMENTS

Technical Data

FLOW RANGE: 0 to 16 U.S. GPM
HEAD RANGE: 0 to 12 Feet
MOTOR: 2 Pole, Single Phase
MIN. FLUID TEMP.: 50°F (10°C)
MAX. FLUID TEMP.: 140°F (60°C)
MAX. WORKING PRESSURE: 120 PSI
MIN. REQUIRED INLET PRESSURE:
 Temperature: 140°F(60°C)
 Pressure: 3 ft. (.9m) 1.3 psi

Materials of Construction

STAINLESS STEEL: Inlet cone, bearing plate and bearing retainers, rotor can, rotor cladding, and shaft retainer.
ALUMINUM: Stator housing.
ALUMINUM OXIDE CERAMIC: Shaft and upper and lower radial bearings.
METAL IMPREGNATED CARBON: Thrust bearing.
EP (Ethylene Propylene Rubber): O-ring and gaskets.
PP: Pump housing.
PES COMPOSITE, 30% Glass Filled: Impeller (UP15).
Noryl®: Terminal box.

Applications

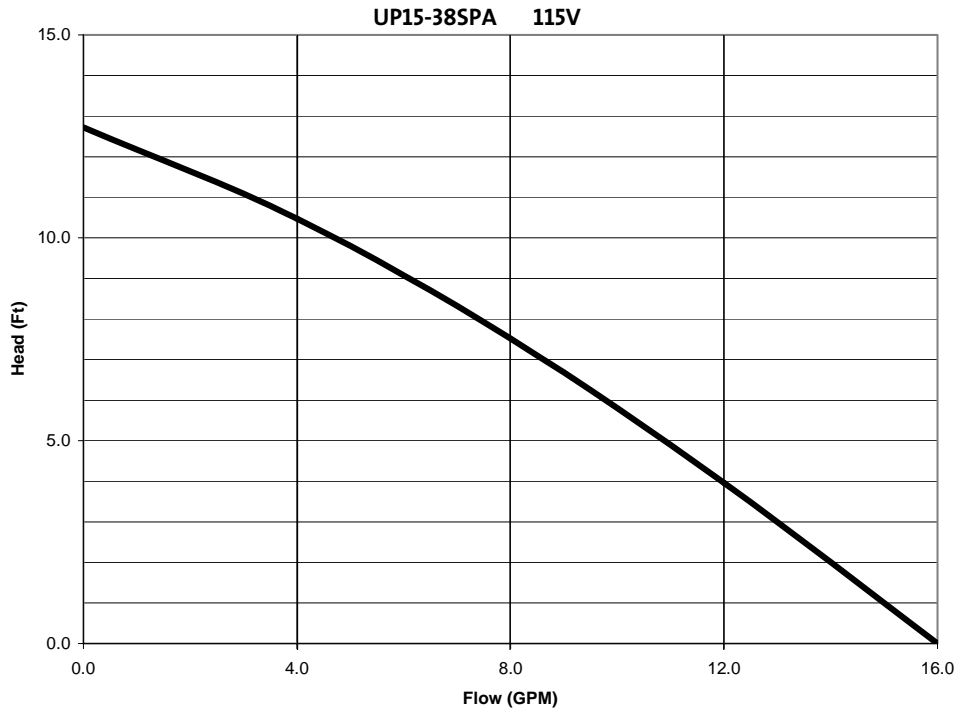
- SPA HEATING AND CIRCULATION • SPA OZONATION
 - For indoor or protected outdoor uses
 - Circulate chlorinated or brominated (clean/clear) water with neutral pH
 - Chlorine concentration (maximum): 5 ppm continuous, 10 ppm intermittent
 - Bromine concentration (maximum): 3 ppm continuous, 5 ppm intermittent
 - Ozone production and injection systems
- NOTE: Do not introduce ozone to pump suction, as air locking may occur**

Electrical Data

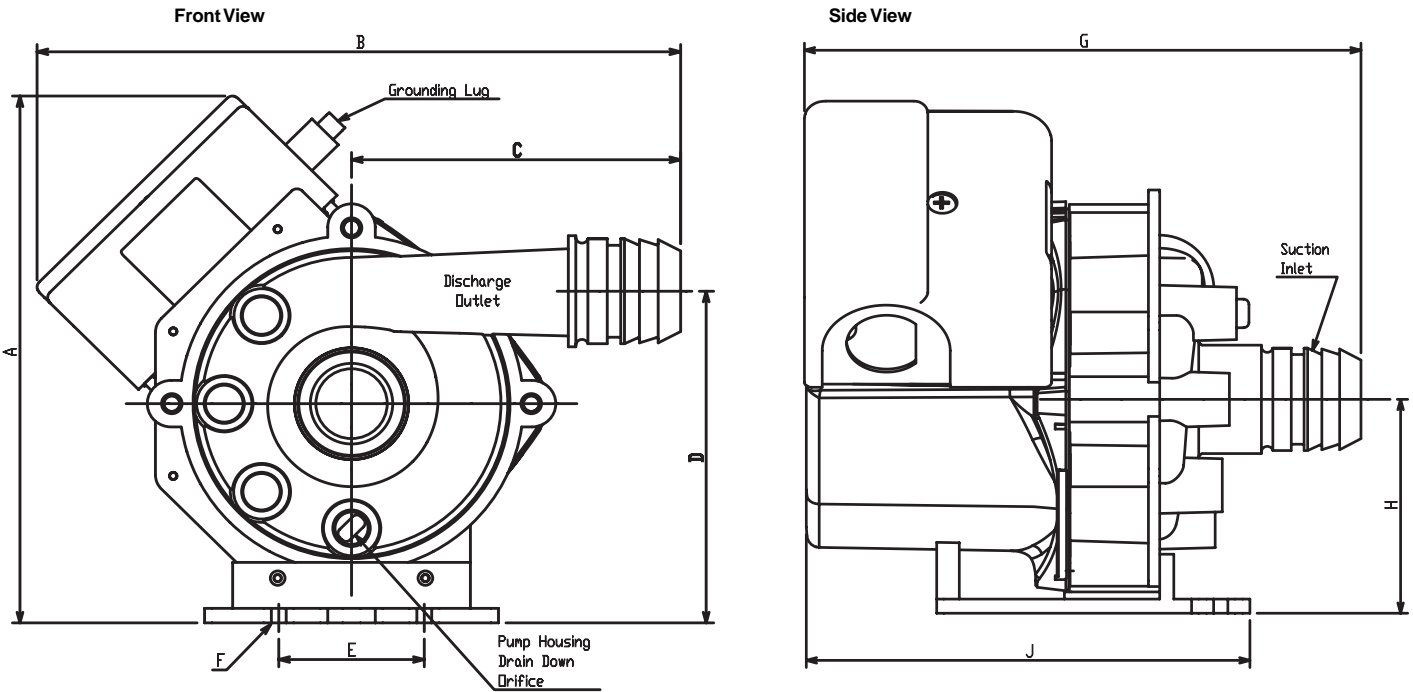
Model	Volts	Amps	Watts	HP	Capacitor
UP15-38SPA	115	0.74	85	1/25	10.0mF
	230	0.40	90	1/25	2.0mF

Features

- PP pump housing • End suction design
- Impedance protected motor
- External Aluminum Grounding Lug suitable for 6/14 AWG wire size
- Easy Drain Option
- Suction and discharge suitable for plastic tubing slip fit
- Internal 1/2" (ASTM plastic pipe fitting standards) 1" plastic barbed fitting
- UL/CSA approved and recognized to the spa and pool code
- 24/30 month standard warranty
- Maintenance-free design



Dimensions



*NOTES: All dimensions are in inches.

Maximum Dimensions*

MODEL	A	B	C	D	E	F	G	H	I	J
UP15-38SPA	5 1/2	7	3 1/2	3 1/2	1 9/16	1/8	6 1/8	2 3/8	NA	5 1/8

L-UP-TL-010 | 08/02
PRINTED IN USA