

**KITCHEN SINK FAUCET
K-8762
ALSO K-8763**

ADA

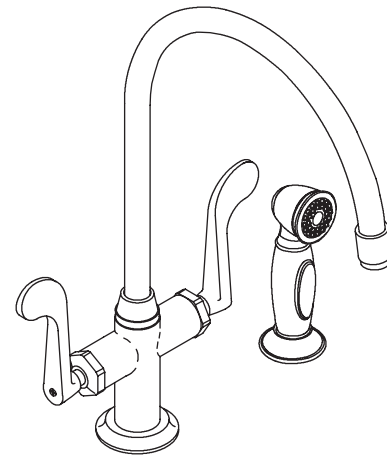
Features

- Brass construction
- Brass valve bodies
- Quarter-turn washerless ceramic disc valves
- 9" (22.9 cm) swing spout reach
- Gooseneck swing spout
- Wristblade lever handles
- Available with or without handspray
- Lower flow aerator options are available (refer to the Kohler Price Book)
- 2.2 gpm (8.3 lpm) maximum flow rate

Codes/Standards Applicable

Specified model meets or exceeds the following at date of manufacture:

- ADA
- ASME A112.18.1/CSA B125.1
- ICC/ANSI A117.1
- NSF 61
- Energy Policy Act of 1992
- All applicable US Federal and State material regulations



Colors/Finishes

- CP: Polished Chrome
- BN: Brushed Nickel
- BX: Vibrant® Brazen Bronze
- Other: Refer to Price Book for additional colors/finishes

Accessories

- CP: Polished Chrome
- BN: Brushed Nickel

Specified Model

Model	Description	Colors/Finishes			
		<input type="checkbox"/> CP	<input type="checkbox"/> BN	<input type="checkbox"/> BX	<input type="checkbox"/> Other ____
K-8762	Kitchen sink faucet – less handspray	<input type="checkbox"/> CP	<input type="checkbox"/> BN		<input type="checkbox"/> Other ____
K-8763	Kitchen sink faucet – with accent handspray (shown)	<input type="checkbox"/> CP	<input type="checkbox"/> BN		<input type="checkbox"/> Other ____
K-8763-BX	Kitchen sink faucet – with classic handspray			<input type="checkbox"/> BX	
Optional Accessories					
K-14511	10-1/2" (26.7 cm) escutcheon plate for three-hole installations	<input type="checkbox"/> CP	<input type="checkbox"/> BN		

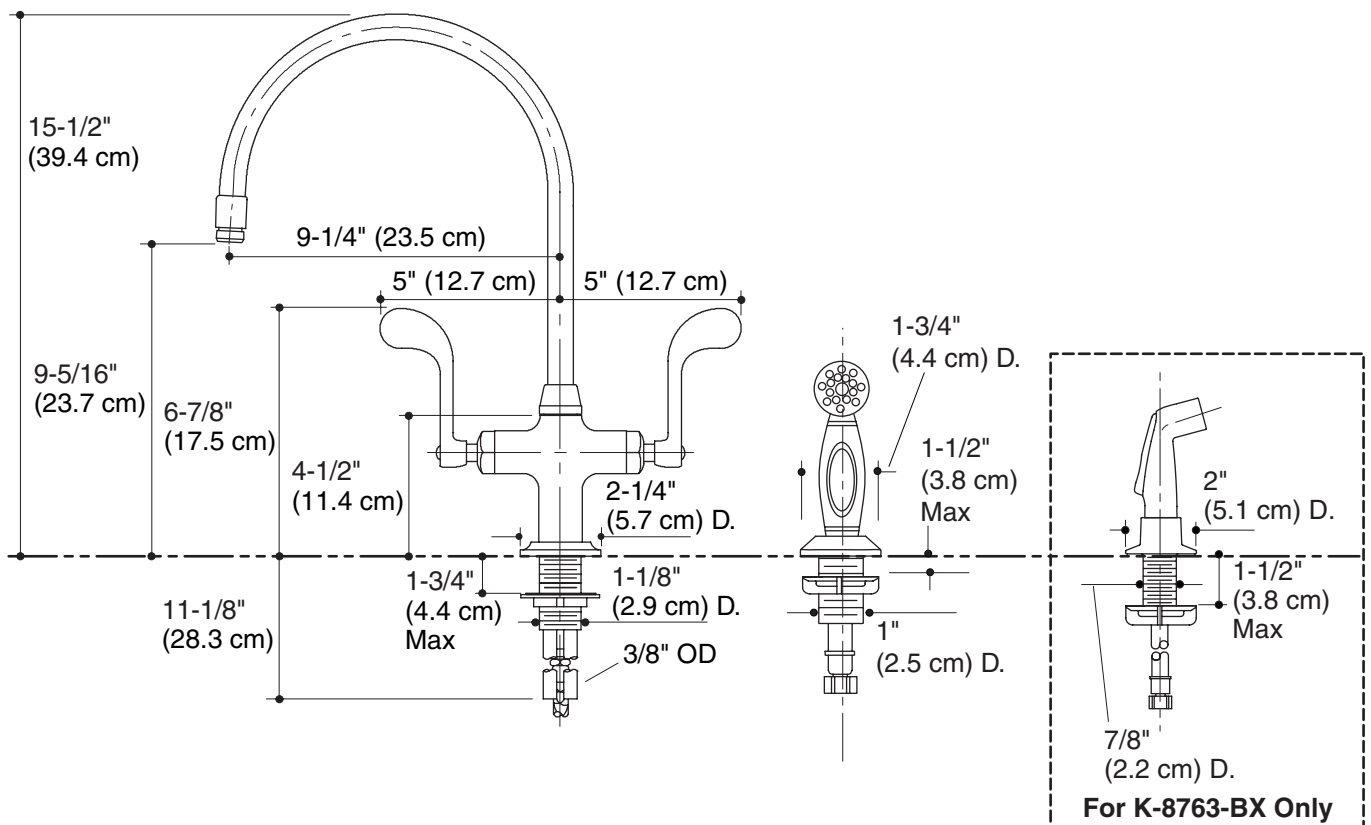
Product Specification

The two-handle kitchen sink faucet shall be of brass construction with brass valve bodies. Product shall have a maximum flow rate of 2.2 gpm (8.3 lpm) with lower flow aerator options available (refer to the Kohler Price Book). Product shall feature quarter-turn washerless ceramic disc valves, 9-1/4" (23.5 cm) swing spout reach, gooseneck swing spout, and wristblade lever handles. Faucet shall be available with or without handspray. Faucet shall be Kohler Model K-____-____.

ESSEX®

Installation Notes

Install this product according to the installation guide.



Product Diagram