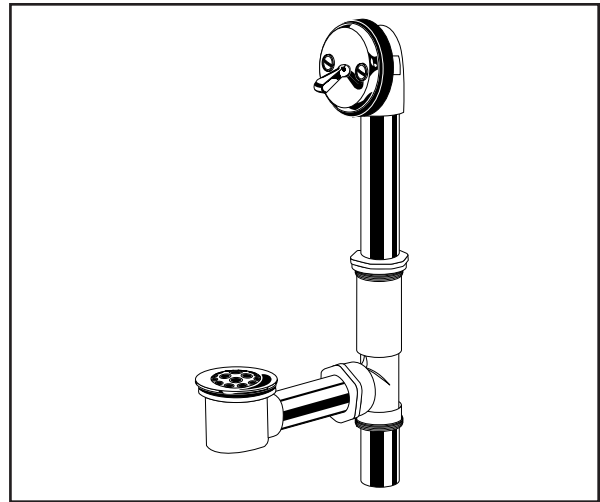


Features:

- Fits most tubs 14" to 16" high
- 1-1/2" brass tubing in 17 and 20 Gauges
- Patented adjustable self-retaining rubber head gasket
- Patented pre-adjustable linkage
- Heavy duty cast red brass head, tee and shoe
- Cast brass shoe plug
- Extra long plunger stroke
- Lubricated cast brass plunger
- Chrome plated stamped brass domed strainer
- Heavy duty, highly polished face plate
- Cast red brass coupling nuts supplied with 17 Gauge Tubing
- Plated zinc coupling nuts supplied with 20 Gauge tubing
- Partially assembled in carton
- Compartmentalized packaging
- Available in Chrome only



Catalog Numbers:

- 41-812 17 Gauge (Chrome)
- 41-818 20 Gauge (Chrome)
- 81-827 17 Gauge (Polished brass)
- A1-821 17 Gauge (Almond)
- W1-821 17 Gauge (White)

Suffixes Available

- 35 2" Longer Shoe Tube (20 GA Only)
- 36 1/2" Longer Shoe Plug
- 70 Chicago Code
- 71 Philadelphia Trap
- 72 3/4" Condensate Head
- 73 3/4" Longer Face Plate Screw
- 75 Brass Ferrules
- 76 Retaining Ring
- 77 6" Tailpiece
- 78 10" Tailpiece
- 79 12" Tailpiece
- 88 "Clean-out Here" on Face Plate w/Retaining Ring (Chrome Finish Only)
- 91 Brass Nuts in Place of Plated Zinc (20 GA Only)
- 93 All Brass Trim Chrome Plated

