

Features:

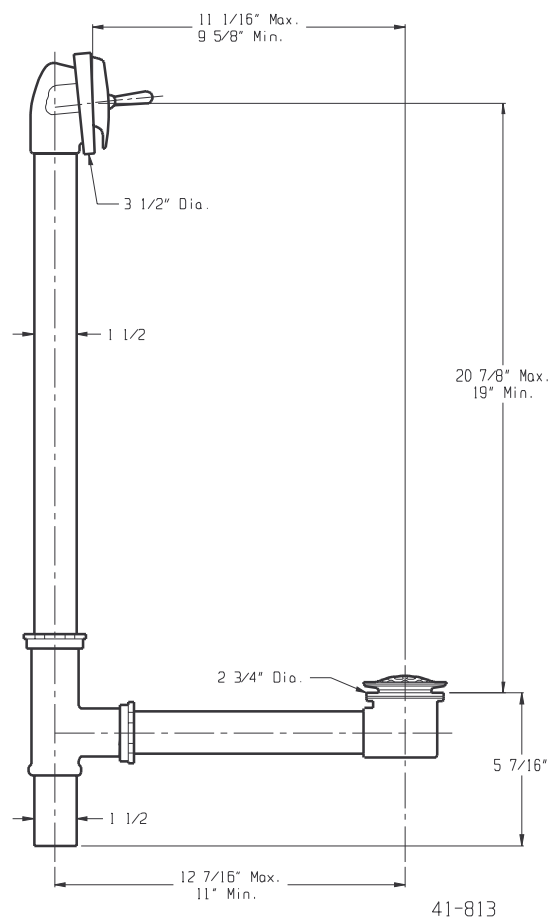
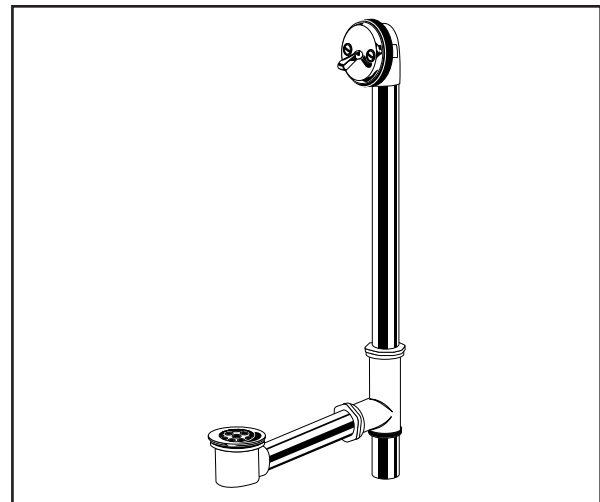
- Fits most tubs to 24 inches high
- 1-1/2 brass tubing in 17 Gauge
- Patented adjustable self-retaining rubber head gasket
- Patented pre-adjustable linkage
- Heavy duty cast red brass head, tee and shoe
- Cast brass shoe plug
- Extra long plunger stroke
- Lubricated cast brass plunger
- Chrome plated stamped brass domed strainer
- Heavy duty, highly polished face plate
- Cast red brass coupling nuts supplied with 17 Gauge Tubing
- Partially assembled in carton
- Compartmentalized packaging
- Available in Chrome, Polished brass, Almond and White

Catalog Numbers:

- **41-813** 17 Gauge (Chrome)
- **81-867** 17 Gauge (Polished Brass)
- **A1-861** 17 Gauge (Almond)
- **W1-861** 17 Gauge (White)

Suffixes Available

- 36 1/2" Longer Shoe Plug
- 70 Chicago Code
- 71 Philadelphia Trap
- 72 3/4" Condensate Head
- 73 3/4" Longer Face Plate Screw
- 75 Brass Ferrules
- 76 Retaining Ring
- 77 6" Tailpiece
- 78 10" Tailpiece
- 79 12" Tailpiece
- 88 "Clean-out Here" on Face Plate w/Retaining Ring (Chrome Finish Only)
- 91 Brass Nuts in Place of Plated Zinc (20 GA Only)



GERBER®

PROFESSIONALLY MADE • PROFESSIONALLY SOLD • PROFESSIONALLY INSTALLED

Gerber Plumbing Fixtures Corp., 4600 W. Touhy Avenue, Chicago IL 60646

(847) 675-6570, FAX 1-800-5GERBER (Illinois FAX (847) 675-5192)

©1998 Gerber Plumbing Fixtures Corp. www.gerberonline.com

