



You can fax, e-mail or mail your registration card to:

CornerStone United

United States Office

Eastway Plaza

1899 Tate Boulevard, Suite 2110

Hickory, NC 28602

Fax: 828-449-1148

ultraregistration@cornerstoneunited.com



Ultra Homeowner Protection Plan

URGENT!
MUST REPLY

PLACE
STAMP
HERE

CornerStone United, Inc.
Eastway Plaza
1899 Tate Blvd. Suite 2110
Hickory NC 28602

For proper delivery, please fold and tape before mailing - do not staple.

ATTENTION *Ultra* BOILER HOMEOWNER

Be sure to fill out this Registration Card and send it in within 30 days from the date of your Weil-McLain Ultra Boiler installation to activate your free Ultra 5-Year Homeowner Protection Plan.

Failure to reply will invalidate any free coverage under the Ultra 5-Year Homeowner Protection Plan.



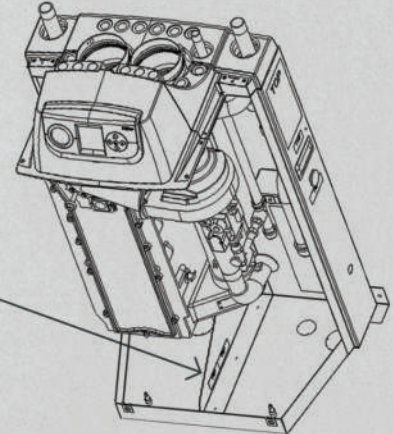
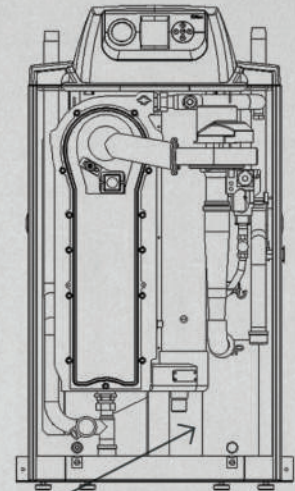
Weil-McLain Ultra Boiler 5-Year Homeowner Protection Plan (UHPP) Homeowner Registration Card

Thank you for purchasing this Weil-McLain Ultra Boiler. Please fill out this registration card completely and return it **within 30 days of installation** to activate your free Ultra 5-Year Homeowner Protection Plan. See the Ultra HPP brochure for additional protection plan information.

FIRST NAME:	MIDDLE INITIAL:	LAST NAME:
STREET ADDRESS:		
CITY:	STATE:	ZIP:
PHONE NUMBER:		
CONTRACTOR COMPANY NAME:	DATE OF INSTALLATION:	
MODEL NUMBER:		
SERIAL NUMBER (CONSUMER PROTECTION NUMBER):		

Model number located here on the boiler

CP (serial) number located here on the boiler



IMPORTANT: This Registration Card must be filled out completely and legibly to be eligible for the Ultra 5-Year Homeowner Protection Plan at no charge. **Failure to return this card within 30 days of the Ultra boiler installation will result in no Ultra 5-Year Homeowner Protection Plan coverage.** Only the standard Weil-McLain Ultra Boiler Warranty will be applicable.